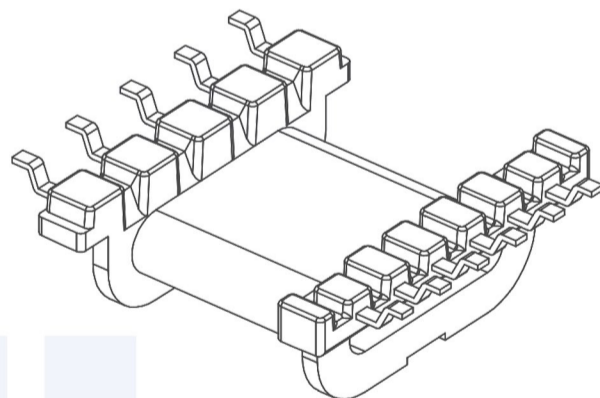
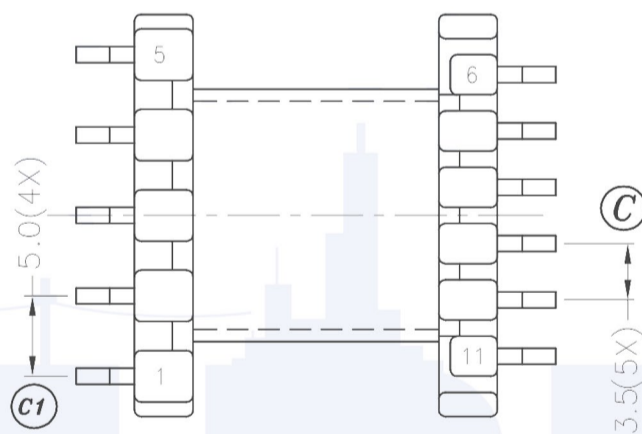
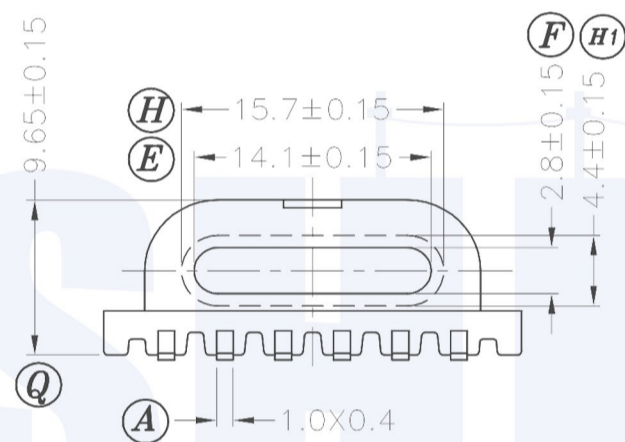
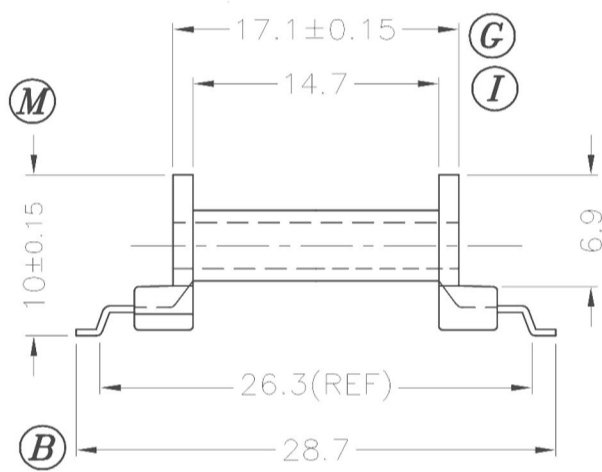
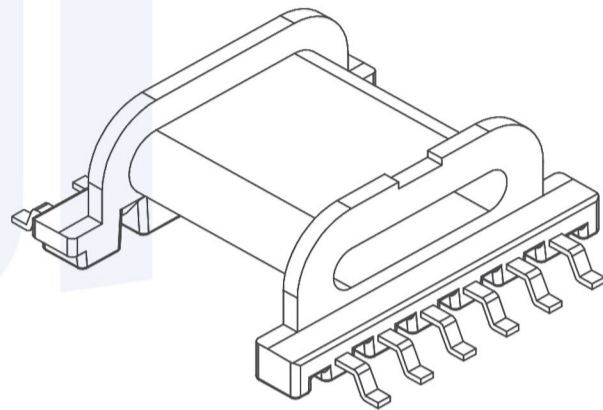
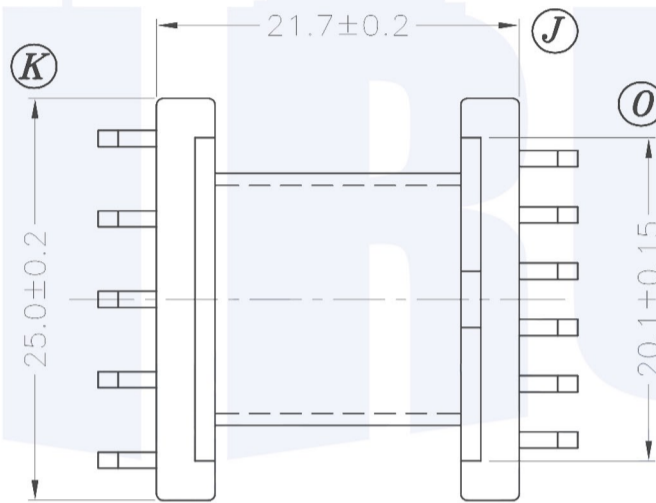



SHIRUI

P/N
SR-SMD EPC2502



Hefei Shirui Electronic Technology Co.,Ltd

SR NO. SR-SMD EPC2502	MATERIAL: PHENOLIC	UNIT: mm TOLERANCE	DRN.	WILL H
MODEL NAME: SME-EPC25-11P-1S	UL REC: UL 94V-0	0 < L ≤ 4 ±0.10 4 < L ≤ 16 ±0.20 16 < L ≤ 64 ±0.30 PIN PITCH ±0.05	CHD.	IRINA LEE
	ANGLE: ± °  SCALE 1:1		ISSD.	JAMES HU